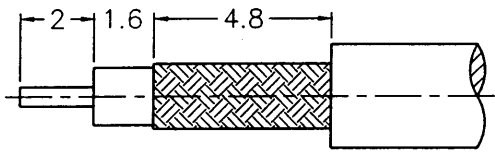


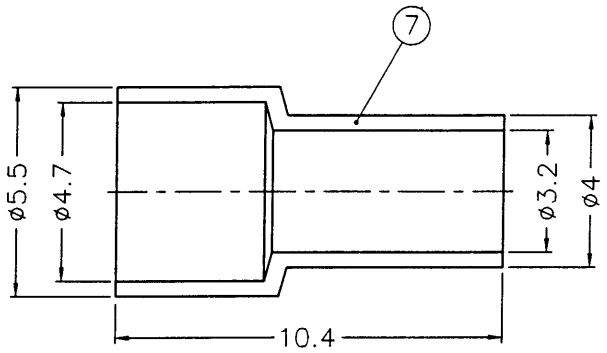
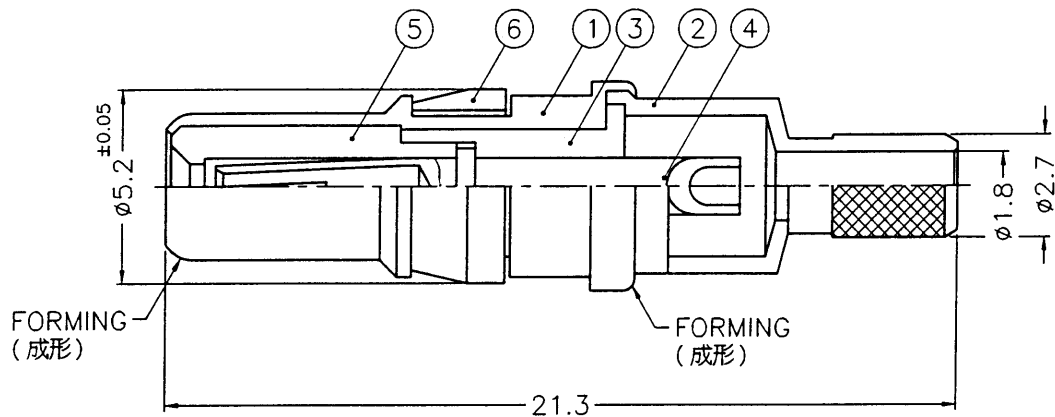
1 2 3 4 5 6 7 8

REVISIONS		
ISS	ZONE	DESCRIPTION\PER REQUEST\DATE
A	A-7	DS6111C1-N/3GT3G-316U-50 WAS SZ6111C1-3GT3G-316U-50\N/A\10-15-01'

SALES



RECOMMENDED
CABLE STRIPPING DIM'S
(建議剝線尺寸)



- NOTES: FINISH (PLATING THICKNESS IN MICRO-INCHES)
- BRASS PER QQ-B-626
 - NICKEL PL. 100 MIN. THICK OVER COPPER STRIKE
 - PHOSPHOR BRONZE PER QQ-B-750
 - GOLD PL. 3 MIN. THICK OVER NICKEL PL. 100 MIN. THICK OVER COPPER STRIKE
 - TEFLON MIL-P-19468
 - JIS H 3260, C 3501

ISSUED
2001. 10. 16
R&D

- CRIMPED FERRULE
HEX. CRIMP SIZE .128"
- CONTACT PIN TO SOLDER
- MAX. PANEL THICKNESS=6mm

NO.	DESCRIPTION	MATERIAL	FINISH	Q'TY	DRAWING NO.
7	FERRULE	NOTE 6	NOTE 4	1	FR-55/47-4/32 X104
6	RETAINER RING	NOTE 1	NOTE 2	1	SZ1111C1-5-B
5	INSULATOR	NOTE 5	NATURAL	1	SZ6111C1-5T-50 -A
4	CONTACT PIN	NOTE 3	NOTE 4	1	SZ6111C1-4-A
3	INSULATOR	NOTE 5	NATURAL	1	SZ6111C1-3T-50 -A
2	BARREL	NOTE 1	NOTE 4	1	SZ1111C1-2-27/18-B
1	BODY	NOTE 1	NOTE 4	1	SZ6111C1-1-A

DIMENSIONS ARE IN MILLIMETERS		PART NO.	
UNLESS OTHERWISE SPECIFIED TOLERANCES		APPROVED	DATE
0.5-6 = ±0.2		<i>Mark C</i>	10-15-01'
6-30 = ±0.4		CHECKED	DATE
30-120 = ±0.6		<i>Jacky</i>	10-15-01'
120-315 = ±1		DRAWN	DATE
315-1000 = ±1.6		<i>Jacky</i>	10-15-01'
1000-2000 = ±2.4		FILE NO.	F:\DWG\DS\6111C1\316U-50\N3GT3G

Amphenol - Kai Jack	
TAINAN TAIWAN	
TITLE	D-SUB CRIMP PLUG (FOR RG-174/U,188A/U,316/U)
DRAWING NO.	KJ-DS6111C1-N/3GT3G-316U-50
ITEM NO.	186111AAA36NF5F

F
E
D
C
B
A

F
E
D
C
B
A